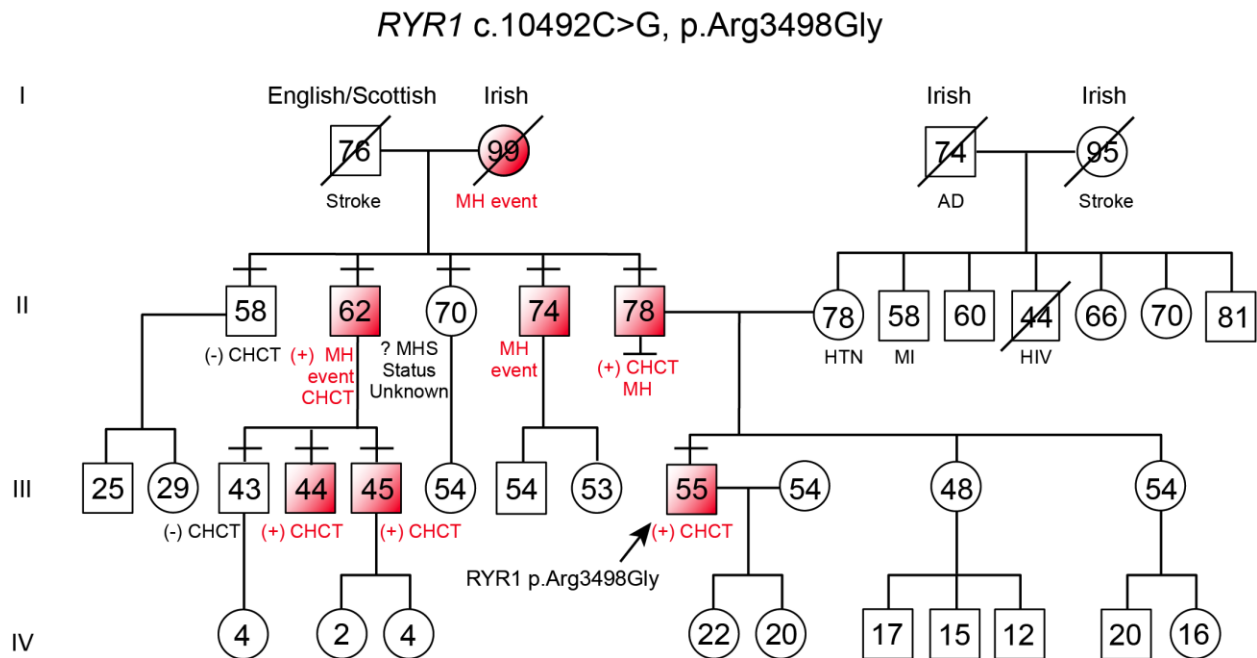


Supplemental Digital Content 6. Pedigree of Malignant Hyperthermia Susceptible Family



Pedigree of volunteer's family with novel *RYR1* variant shown not to be causative (arrow indicates ClinSeq[®] volunteer). Malignant Hyperthermia Susceptible status is indicated below tested individuals as positive/negative (+/-) contracture test, or for those who had an malignant hyperthermia event following the administration of anesthetics, as a near-fatal malignant myperthermia event. P =proband. CHCT =caffeine halothane contracture test. A&W =alive and well. HTN =hypertension. AD dx 60's =Alzheimer's disease diagnosis in sixth decade. Stroke 90s =stroke diagnosis in ninth decade. MI =myocardial infarction. HIV =Human immunodeficiency virus.