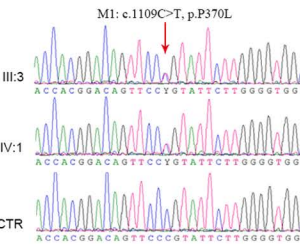
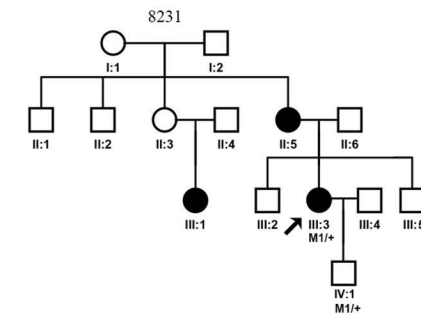
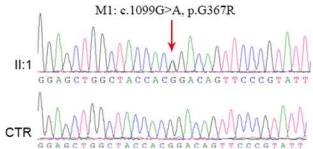
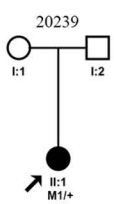
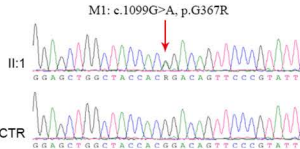
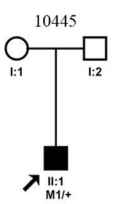
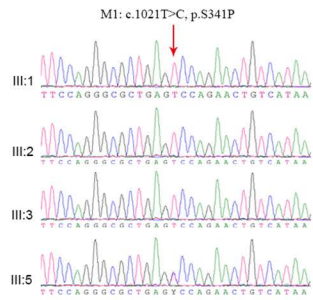
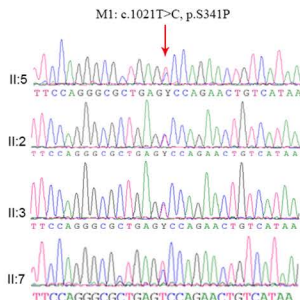
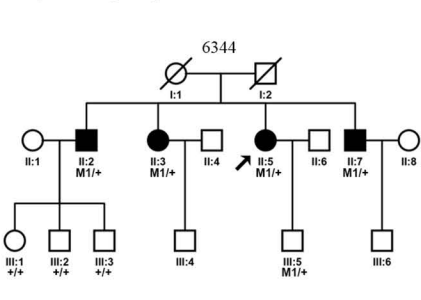


Figure S1. Pedigrees of probands with pathogenic and likely pathogenic heterozygous variants in *MYOC* as well as sanger sequencing diagram. M1, mutant allele; +, wild type allele. Filled squares (male) or circles (female) represent these affected subjects and the arrow indicates the proband in each family.

Pedigrees with pathogenic variants



Pedigrees with likely pathogenic variants

